



HAL
open science

Expanding the phenotype of the X-linked BCOR microphthalmia syndromes

Nicola Ragge, Bertrand Isidor, Pierre Bitoun, Sylvie Odent, Irina Giurgea,
Benjamin Cogné, Wallid Deb, Marie Vincent, Jessica Le Gall, Jenny Morton,
et al.

► **To cite this version:**

Nicola Ragge, Bertrand Isidor, Pierre Bitoun, Sylvie Odent, Irina Giurgea, et al.. Expanding the phenotype of the X-linked BCOR microphthalmia syndromes. *Human Genetics*, 2019, 138 (8-9), pp.1051-1069. 10.1007/s00439-018-1896-x . hal-01863370

HAL Id: hal-01863370

<https://univ-rennes.hal.science/hal-01863370>

Submitted on 10 Sep 2018

HAL is a multi-disciplinary open access archive for the deposit and dissemination of scientific research documents, whether they are published or not. The documents may come from teaching and research institutions in France or abroad, or from public or private research centers.

L'archive ouverte pluridisciplinaire **HAL**, est destinée au dépôt et à la diffusion de documents scientifiques de niveau recherche, publiés ou non, émanant des établissements d'enseignement et de recherche français ou étrangers, des laboratoires publics ou privés.

Expanding the Phenotype of the X-linked *BCOR* Microphthalmia syndromes

Nicola Ragge^{1,2}, Bertrand Isidor³, Pierre Bitoun⁴, Sylvie Odent⁵, Irina Giurgea⁶, Benjamin Cogné³, Deb Wallid³, Marie Vincent³, Jessica Le Gall³, Jenny Morton², Derek Lim², DDD study⁷, Guylène Le Meur⁸, Celia Zazo Seco⁹, Dimitra Zafeiropoulou¹⁰, Dorine Bax¹, Petra Zwijnenburg¹¹, Anara Arteche¹², Saoud Tahsin Swafiri¹², Ruth Cleaver¹³, Meriel McEntagart¹³, Usha Kini¹⁴, William Newman¹⁵, Carmen Ayuso^{12,16}, Marta Corton^{12,16}, Yvan Herenger¹⁷, Médéric Jeanne¹⁷, Patrick Calvas^{9,18}, Nicolas Chassaing^{9,18}

1 Department of Biological and Medical Sciences, Faculty of Health and Life Sciences, Oxford Brookes University, Oxford, UK

2 West Midlands Regional Clinical Genetics Service and Birmingham Health Partners, Birmingham Women's and Children's Hospital NHS Foundation Trust, Birmingham, UK

3 Service de génétique médicale, Hôtel-Dieu, CHU de Nantes, France

4 SIDVA 91, Ophthalmic Genetics, 1 rue de la Cour de France, 91260 Juvisy s/orge, France

5 Service de Génétique Clinique, Centre de référence CLAD-Ouest, Université Rennes 1, UMR 6290 CNRS IGDR, CHU Rennes, Rennes, France

6 U.F. de Génétique moléculaire, Hôpital Armand Trousseau, Assistance Publique - Hôpitaux de Paris; INSERM UMR S933, Faculté de médecine, Sorbonne Université, Paris 75012, France

7 DDD Study, Wellcome Trust Sanger Institute, Hinxton, Cambridge, UK

8 Service d'ophtalmologie, Hôtel Dieu, CHU de Nantes, France

9 UDEAR, UMR 1056 Inserm - Université de Toulouse, Toulouse, France

10 Department of Human Genetics, Radboud University Medical Centre, Geert Grooteplein 10, 6525 GA Nijmegen, The Netherlands

11 Dept of Clinical Genetics, VU University Medical Center, Amsterdam, the Netherlands

12 Department of Genetics, Health Research Institute–Jiménez Díaz Foundation, University Hospital (IIS-FJD-UAM) Madrid, Spain.

13 South West Thames Regional Genetics Service, St. George's Healthcare NHS Trust, London, UK

14 Oxford Centre for Genomic Medicine, Oxford, UK

15 Manchester Royal Eye Hospital, Manchester, UK

16 Centre for Biomedical Network Research on Rare Diseases (CIBERER), ISCIII, Madrid, Spain

17 Service de Génétique Médicale, CHU de Tours, Tours, France

18 Department of Medical Genetics, CHU Toulouse, Purpan Hospital, 31059 Toulouse, France

Corresponding Author:

Nicola Ragge MD FRCPCH FRCP FRCOphth

Email: nragge@brookes.ac.uk; Nicola.ragge@bwnft.nhs.uk;

Telephone: +44 1865 484413; +44 121 335 8024

orcid.org/0000-0002-6122-4521

Key words: *BCOR* gene, anophthalmia, microphthalmia, X-linked, Oculofaciocardiodental (OFCD) syndrome, lymphoma

Acknowledgements

We acknowledge generous support from the families published in this article. This work was supported by grants from the Clinical Research Hospital Program from the French Ministry of Health (PHRC 09 109 01), the Fondation of France, the Fondation Maladies Rares, Berthe Fouassier, Rétina France, VICTA (Visually Impaired Children Taking Action), MACS (Microphthalmia, Anophthalmia Coloboma Support), Baillie Gifford, Spanish Institute of Health Carlos III (CP12/03256), Spanish Ministry of Economy and Competitiveness (SAF2013-46943-R) and Mutua Madrileña Foundation. The DDD study presents independent research commissioned by the Health Innovation Challenge Fund [grant number HICF-1009-003], a parallel funding partnership between the Wellcome Trust and the Department of Health, and the Wellcome Trust Sanger Institute [grant number WT098051]. The views expressed in this publication are those of the authors and not necessarily those of the Wellcome Trust or the Department of Health. The study has UK Research Ethics Committee approval (10/H0305/83, granted by the Cambridge South REC, and GEN/284/12 granted by the Republic of Ireland REC). The research team acknowledges the support of the National Institute for Health Research, through the Comprehensive Clinical Research Network. This study makes use of DECIPHER (<http://decipher.sanger.ac.uk>), which is funded by the Wellcome Trust.

3 Abstract

4 Two distinct syndromes arise from pathogenic variants in the X-linked gene
5 *BCOR* (BCL-6 corepressor): OculoFacioCardioDental (OFCD) syndrome, which
6 affects females, and a severe microphthalmia ('Lenz'-type) syndrome affecting
7 males. OFCD is an X-linked dominant syndrome caused by a variety of *BCOR* null
8 mutations. As it manifests only in females, it is presumed to be lethal in males.
9 The severe male X-linked recessive microphthalmia syndrome ('Lenz') usually
10 includes developmental delay in addition to the eye findings and is caused by
11 hypomorphic *BCOR* variants, mainly by a specific missense variant c.254C>T,
12 p.(Pro85Leu). Here we detail 16 new cases (11 females with 4 additional,
13 genetically confirmed, affected female relatives; 5 male cases each with
14 unaffected carrier mothers). We describe new variants and broaden the
15 phenotypic description for OFCD to include neuropathy, muscle hypotonia,
16 pituitary underdevelopment, brain atrophy, lipoma and the first description of
17 childhood lymphoma in an OFCD case. Our male X-linked recessive cases show
18 significant new phenotypes: developmental delay (without eye anomalies) in 2
19 affected half-brothers with a novel *BCOR* variant, and one male with high myopia,
20 megalophthalmos, posterior embryotoxon, developmental delay, and heart and
21 bony anomalies with a previously undescribed *BCOR* splice-site variant. Our
22 female OFCD cases and their affected female relatives showed variable features,
23 but consistently had early onset cataracts. We show that a mosaic carrier
24 mother manifested early cataract and dental anomalies. All female carriers of
25 the male X-linked recessive cases for whom genetic confirmation was available
26 showed skewed X-inactivation and were unaffected. In view of the extended
27 phenotype, we suggest a new term of X-linked *BCOR*-related syndrome.
28

29 Introduction

30 Oculofaciocardiodental (OFCD) and severe X-linked microphthalmia syndromes
31 are related conditions caused by allelic pathogenic alterations in *BCOR* (BCL-6
32 corepressor). OFCD is an X-linked dominant condition, affecting females
33 (presumed male lethal), with examples of mother-to-daughter transmission.
34 Skewed X-inactivation (90-100%) has been demonstrated in informative cases
35 (Ng, Thakker et al. 2004). It is characterised by the pathognomonic association of
36 congenital or early onset cataract with dental anomalies (including
37 radiculomegaly, delayed primary/secondary dentition, hypodontia, fusion of
38 teeth), with a variety of other features. These other features are principally
39 ocular (microphthalmia, cataract, glaucoma, retinal detachment), cardiac (septal
40 defects), skeletal (hammer toes or camptodactyly, 2-3 toe syndactyly, broad
41 halluces, radioulnar synostosis, scoliosis), and facial anomalies (cleft palate,
42 septate nasal cartilage, long narrow face, arched eyebrows). Less frequently they
43 include mild developmental delay (11%), posterior fossa anomalies (in a fetal
44 loss), hearing impairment (9%) and defects of laterality (situs inversus, asplenia)
45 in a single case (Ng, Thakker et al. 2004, Horn, Chyrek et al. 2005, Oberoi, Winder
46 et al. 2005, Hilton, Johnston et al. 2009, Davoody, Chen et al. 2012, Lozic,
47 Ljubkovic et al. 2012, Kantaputra 2014, Surapornsawasd, Ogawa et al. 2015, Ma,
48 Grigg et al. 2016). In typical OFCD cases, *BCOR* is affected by a variety of null
49 variants: nonsense, splicing, frameshift, deletions of part or all of the coding
50 sequence, predicted to lead to nonsense mediated decay. Asymptomatic mosaic
51 female carriers have been described: Hilton and colleagues refer to the
52 asymptomatic mother of case XVII; mosaicism was estimated by a reduction of
53 the Sanger sequencing peak to 75% as opposed to 50% for her fully manifesting
54 daughter (Hilton, Johnston et al. 2009). Furthermore, individuals with *BCOR*
55 pathogenic variants with mainly ocular features are also reported (Ng, Thakker
56 et al. 2004; Hilton, Johnston et al. 2009; Ma, Grigg et al. 2016).

57

58 *BCOR* pathogenic variants have also been identified in affected males with X-
59 linked recessive severe ('Lenz') microphthalmia. In 2004, the missense variant
60 c.254C>T, p.(Pro85Leu)_was identified in an affected male, and segregated with
61 disease phenotype (Ng, Thakker et al. 2004) and since then further cases

62 described (Hilton, Johnston et al. 2009, Suzumori, Kaname et al. 2013).
63 Recently, a *de novo* novel *BCOR* missense variant (c.1619G>A; pArg540Gln) was
64 identified in a boy with congenital glaucoma, complex cardiac anomalies,
65 dextrocardia and cerebral white matter hypoplasia, following sequencing
66 analysis of *PITX2*, *FOXC1* and *BCOR* (Zhu, Dai et al. 2015). Although the causative
67 nature of this missense variant could not be established with certainty,
68 supporting evidence from *in silico* analysis and absence of variant from control
69 cohorts was highly suggestive.

70

71 Only a small percentage of males with severe microphthalmia (<1% in our series,
72 unpublished data), even with an X-linked inheritance pattern, carry *BCOR*
73 variants (Hilton, Johnston et al. 2009). The features described in males
74 harboring the p.(Pro85Leu) variant in *BCOR* include: bilateral microphthalmia or
75 anophthalmia, microcephaly, hypoplastic corpus callosum, mild-severe
76 developmental delay, radioulnar synostosis, simple ears, no dental anomalies,
77 cardiac anomalies, multiple partial finger syndactyly, fifth finger clinodactyly,
78 and hypospadias (Ng, Thakker et al. 2004, Hilton, Johnston et al. 2009, Suzumori,
79 Kaname et al. 2013). Although the features of so-called 'Lenz' microphthalmia
80 are broader (Lenz 1955, Traboulsi, Lenz et al. 1988), some of these may be
81 explained by the newly described genes *HMGB3* (Scott, Mohr et al. 2014) and
82 *NAA10* which have been identified as other causes of X-linked 'Lenz'
83 microphthalmia syndrome (Esmailpour, Riazifar et al. 2014).

84

85 Here, using whole exome and targeted gene sequencing, we identified 16 further
86 index cases (15 families) with pathogenic variants in *BCOR*. The female cases
87 comprised of eleven females with OFCD, and additionally 3 affected mothers and
88 1 affected sister manifesting variable phenotypes. The five male index cases
89 comprised of two unrelated cases with the recurrent c.254C>T (p.Pro85Leu)
90 variant and manifesting a severe microphthalmia syndrome, two half-brothers
91 with a previously undescribed c.4807A>C (p.Ser1603Arg) variant with
92 developmental delay and posterior embryotoxon, and one boy with high myopia,
93 posterior embryotoxon, severe developmental delay, wrist and finger anomalies
94 with a previously undescribed splice site variant c.4741+1G>A (p.[?]). We

95 review the literature and show that male cases have demonstrably high
96 prevalence of cardiac, skeletal, craniofacial, and genitourinary anomalies in
97 addition to their well described severe eye anomalies and developmental delay.
98 We also show a surprising proportion of female OFCD cases with skeletal
99 anomalies, hearing loss and developmental delay, and one with childhood
100 lymphoma.

101

102 Materials and Methods

103 Patient cohort

104 Cases 1-9 were recruited as part of a UK national study of developmental eye
105 anomalies and a French cohort of microphthalmic or anophthalmic patients.
106 Informed consent was obtained from all individuals in the study in accordance
107 with Ethics Approval obtained for the study from Cambridgeshire 1 Ethics
108 Committee 04/Q0104/129 (UK patients) and local Ethics Committee (CPP Sud-
109 Ouest et Outre-Mer II) (French patients). Case 13 was recruited as part of a
110 Spanish study of congenital ocular anomalies approved by the Ethics Committee
111 of the Fundación Jiménez Díaz University Hospital. Cases 10 and 14 were
112 recruited to the DDD (Deciphering Developmental Disorders) Study, which has
113 UK Research Ethics Committee approval (10/H0305/83, granted by the
114 Cambridge South REC, and GEN/284/12 granted by the Republic of Ireland REC).
115 Cases 11, 12, 15 and 16 were consented for diagnostic genetic testing: single
116 gene, or whole exome sequencing (WES). Additional informed consent was
117 obtained from all individual participants for whom identifying information is
118 included in this article.

119

120 Methods

121 Whole exome sequencing (cases 1, 4, 5, 9, 10, 12, 13, 14)

122 WES was undertaken in 24 previously undiagnosed UK/French eye anomaly
123 patients (12 males and 12 females). Case 4 had exome sequencing because of the
124 association of developmental delay, dysmorphic features and posterior
125 embryotoxon. Exome capture was performed using the Nimblegen V3
126 Enrichment kit following the manufacturer's protocol. The captured libraries
127 were sequenced with an Illumina HiSeq2000 with 100-bp paired-end reads. We

128 used PolyPhen-2, SIFT and Mutation Taster software tools to predict the
129 functional effects of variants (Adzhubei, Schmidt, et al, 2010; Ng, Hennekoff et al,
130 2003; Schwarz, Cooper, et al, 2014). This strategy allowed the identification of
131 *BCOR* variants in cases 1, 5 and 9. Case 12 had similar WES, but not captured and
132 instead using an Illumina HiSeq2500 and 125-bp paired end sequencing. For
133 cases 10 and 14, identified via the DDD study, trio-based exome sequencing was
134 performed on the affected individual and their parents, as previously described
135 (Wright, Fitzgerald et al. 2015). Case 13 had targeted clinical exome sequencing.
136 Libraries were prepared using TruSightOne (Illumina) following the
137 manufacturer's protocol. The captured libraries were sequenced with an
138 Illumina NextSeq500 with 150-bp paired-end reads.

139

140 Targeted resequencing of 187 genes (case 2)

141 Targeted resequencing of 187 genes, including *BCOR*, was performed for 96
142 UK/French individuals (44 males and 52 females) with undiagnosed
143 microphthalmia or anophthalmia. 600ng of subject genomic DNA was used to
144 capture the 2310 coding exons using a custom Agilent SureSelect Target
145 Enrichment System kit. Sequence capture, enrichment and elution were
146 performed according to manufacturer's instruction and protocols (SureSelect,
147 Agilent) without modification except for library preparation performed with the
148 NEBNext® Ultra kit (New England Biolabs®). Libraries were pooled and
149 sequenced on an Illumina HiSeq2000 as paired-end 75bp reads. We used
150 PolyPhen-2, and SIFT software tools to predict the functional effects of variants. This
151 strategy allowed the identification of the *BCOR* variant in case 2.

152

153 Sanger sequencing

154 All pathogenic *BCOR* variants retained after filtering from the whole exome or
155 targeted resequencing data were confirmed by Sanger sequencing. Parental
156 studies were performed to determine whether these variants were inherited or
157 appeared *de novo*. Direct *BCOR* (NM_001123385.1, 1755 aa) sequencing was
158 performed in the other female cases (3, 6, 7, 8, 11, 13, 14, 15) and one male case
159 (2) because of suggestive features and to confirm WES findings.

160 Case 16 had a copy number variant detected by array Comparative Genomic

161 Hybridisation (CGH) (Agilent 60k ISCA) and confirmed by qPCR.

162

163 Non-random X-inactivation analysis

164 This was performed using a fluorescent PCR assay encompassing the X
165 chromosome androgen receptor CAG repeat polymorphism. The methylation
166 sensitive restriction enzyme, HpaI was used for prior digestion of genomic DNA.
167 X-inactivation classification ratios: Complete skewing=100:1; Highly
168 skewed=90:10-99:1; Moderate skewing=80:20-89:11; Random X-
169 inactivation=50:50-79:21 (Amos-Landgraf, Cottle et al, 2006).

170

171 Assessment of Mosaicism

172 This was performed using semi-quantitative multiplex fluorescent PCR (QMF-
173 PCR) analysis of the BCOR gene to determine the level of mosaicism. This method
174 was previously published as described in the paper by Hilton and colleagues
175 (Hilton, Johnston, et al, 2009).

176

177 Literature review

178 Published cases with pathogenic *BCOR* variants were identified through previous
179 literature reviews and Pubmed searches. Variants were annotated using a
180 common reference sequence, NM_001123385.1, and all variants were checked
181 using mutalyzer (www.mutalyzer.nl)(Wildeman, van Ophuizen et al. 2008).

182

183 Case Descriptions (Table 1)

184 Case 1

185 Case 1 is a 13-year-old Caucasian girl with right microphthalmia with dense
186 cataract and left microphthalmia with secondary aphakia, secondary glaucoma
187 and a left visual acuity of 20/300. She was born at full term following ultrasound
188 scans during pregnancy that detected choroid plexus cysts. Early cranial
189 Magnetic Resonance Imaging (MRI) revealed a corpus callosal lipoma. She had
190 early onset cataracts and left cataract surgery at 6 weeks of age. Her
191 development was slightly delayed: she smiled at 3-4 months, sat at 10 months
192 and walked at 23 months of age. Her speech was normal. She had recurrent
193 urinary tract infections (normal renal ultrasound), and growth hormone

194 deficiency diagnosed at 3 years of age and treated with growth hormone. She
195 had late eruption of her first teeth and delayed loss of first teeth at 9 years of age.
196 She had unusual positioning of her adult teeth, which were small, with a second
197 row of teeth.

198 At 11 years of age her growth had reached: height 2nd centile, weight <0.4th
199 centile and head circumference 50th centile. She had long slender fingers and
200 hyperextensible joints. Her feet showed an increased sandal gap and she had
201 right second toe clinodactyly (Figure 1a-e). She had reduced bladder control and
202 decreased reflexes. WES revealed a *de novo* heterozygous variant in *BCOR*
203 c.2428C>T p.(Arg810*). This variant has been previously described as causing
204 OFCD with a strikingly similar phenotype in a paper by Hilton and colleagues
205 (case X) (Hilton, Johnston et al. 2009) (see Supplementary Table 1).

206

207 Case 2

208 This 21-year-old Caucasian male first presented to the ophthalmic genetics clinic
209 at the age of 9 years with bilateral microphthalmia (Figure 1f-i). He was born at
210 term, birth weight unknown. He had delayed motor milestones and walked with
211 assistance by 4 years of age. He had bilateral cryptorchidism and vesico-ureteric
212 reflux, requiring surgical correction at 7 years of age after repeated
213 pyelonephritis. His social development was delayed; he was diagnosed with
214 autistic spectrum disorder. There was a family history of paternal bilateral
215 cataracts requiring surgery at the age of 30 years, and low vision. His mother had
216 stellate irides and he had a healthy younger sister.

217

218 At 9 years-of-age, he had no speech and difficulty swallowing, tolerating only
219 liquid food. He suffered from primary enuresis and had undergone surgical
220 correction for severe scoliosis. He suffered from recurrent dental infections
221 requiring dental extraction. His height was 1.25 m (9th centile), weight 20.5 kg
222 (0.4-2nd centile) and head circumference 53 cm (25th centile). He had bilateral
223 severe microphthalmia with no light perception, short (10 mm) downslanting
224 palpebral fissures and secondary midface hypoplasia. He had a long face with
225 abundant hair, tall forehead, thick eyebrows, a broad nasal root and tip, a long
226 philtrum, thin upper lip and thick lower lip. He had large low set posteriorly

227 rotated ears with prominent antihelices. He had a thin body habitus with a
228 barrel-shaped chest, long slender fingers with fifth finger clinodactyly, and broad
229 halluces. He showed hypotonia with reduced muscle mass and marked
230 ligamentous laxity. His cranial MRI was normal.

231

232 At the age of 21 years, his height was 1.6 m (0.4-2nd centile), weight 40.5 kg (<3rd
233 centile) and head circumference 55 cm (90th centile). He had limited speech of a
234 few words. He walked with a spastic gait, had poor muscle mass and suffered
235 from scoliosis. He attended a daytime assisted care facility, functioning
236 reasonably independently, and played the piano.

237

238 Genetic testing of *SOX2*, *OTX2*, *VSX2*, *RAX*, and *FOXE3* were normal. Targeted
239 sequencing identified a *BCOR* c.254C>T; p.(Pro85Leu) variant inherited from his
240 healthy mother. His maternal aunt had previously had a termination of
241 pregnancy for a severely malformed male fetus suspected of trisomy 13, without
242 genetic analysis or fetal pathology examination. She may be a carrier of the same
243 *BCOR* variant, although genetic analysis was declined.

244

245 Case 3

246 This 3-year-old Caucasian girl was born with bilateral microphthalmia and
247 cataract (Figure 1j) having had bilateral congenital cataract detected at 22 weeks
248 of pregnancy. She also had an atrial septal defect (ASD) that was managed
249 conservatively. The cataracts were removed without intraocular lens
250 implantation at 2 months of age, with a subsequent right vitrectomy for capsular
251 opacity at 2 years of age. However, she developed a T-cell lymphoma (stage III
252 on St Jude's classification) at the age of 12 months and was treated with
253 chemotherapy, achieving remission after 2 years of treatment. She had late
254 eruption of her first teeth and abnormal crown volume on the upper maxillary
255 canines and central incisors on the palatal side, without any misalignment of the
256 teeth. All primary and permanent teeth were present on the head Computerised
257 Tomography (CT) scan. At the age of 3 years her microphthalmic eyes measured
258 right eye (RE) corneal diameter of 9.5 mm, axial length of 17.59 mm and left eye

259 (LE) corneal diameter of 8.5 mm, axial length of 16.06 mm, with an increase of
260 corneal thickness RE 635 μm and LE 680 μm . At 4 years, following patching, she
261 achieved visual acuities of RE 0.7 logMar and LE 0.2 logMar.

262

263 She had normal growth and no developmental delay. She had long slender
264 fingers and hands, downslanting, dysplastic ears and a high arched narrow
265 palate. Targeted analysis of *BCOR* revealed the *de novo* variant
266 c.1209_1210delCC; p.(Gln404Alafs*35), predicted as pathogenic.

267

268 Case 4

269 Case 4 is an 18-month-old Caucasian boy, only child of unrelated healthy parents.
270 He has 3 half-brothers on his mother's side, including case 5 (Figure 2A). He was
271 born at 38 weeks' gestation with a birth weight 2.875 kg (25th centile), length
272 50.7 cm (80th centile) and head circumference 33.5cm (28th centile). He had a
273 large ASD. Ophthalmological examination showed bilateral posterior
274 embryotoxon. He had distinctive features, including large earlobes, long fingers
275 with 4th and 5th camptodactyly, and short and deep-set toenails and a left
276 temporal haemangioma. His growth was normal, however, he had some
277 developmental delay: he sat at 12 months, at 18 months of age he could not stand
278 unsupported; he could say one word. While his array CGH was normal, WES
279 revealed the variant c.4807A>C; p.(Ser1603Arg) in *BCOR*, inherited from his
280 asymptomatic mother. This variant involves a highly conserved amino acid, is
281 absent from the general population (gnomAD database) (Lek, Karczewski, et al,
282 2016) and is predicted to be deleterious by *in silico* software Polyphen-2, SIFT
283 and Mutation Taster.

284

285 Case 5

286 Case 5 is a 5-year-old Caucasian boy, half-brother of case 4. He was born at full
287 term with asymmetrical intrauterine growth retardation. His birth weight was
288 2.860 kg (5th centile), length 50 cm (37th centile) and OFC 33.5 cm (12th centile).
289 He had initial feeding difficulties and presented with posterior cleft palate, major
290 axial hypotonia with highly hypertonic limbs, and a large ASD. Ophthalmological
291 examination at birth showed bilateral posterior embryotoxon. He also had

292 asymmetrical dysplastic ears, camptodactyly of all fingers, fetal toe pads, and
293 multiple capillary malformations. He had severe developmental delay; he spoke
294 fewer than 10 words at 5 years and walked at 4 years and 10 months. He had
295 severe feeding difficulties causing initial growth retardation, but at age 4½ years
296 his weight was 17.5 kg (0 SD), height 100.5 cm (-1 SD) and OFC 48.5 cm (-2.5
297 SD). His brain MRI showed a posterior arachnoid cyst. Sanger sequencing
298 revealed the same variant c.4807A>C; p.(Ser1603Arg) in *BCOR* as his brother
299 (case 4). This variant was absent in the two healthy brothers of cases 4 and 5.

300

301 Case 6

302 Case 6 is a 17-year-old Caucasian girl, first child of unrelated healthy parents,
303 with two unaffected siblings. She was born at 37 weeks' gestation and bilateral
304 congenital cataract was diagnosed at 1 month, with surgery performed at 3
305 months of age. Later she developed secondary bilateral glaucoma with significant
306 reduction in visual acuity, and received further surgery on the left eye at 7 years
307 of age. She developed a right retinal detachment at the age of 12 years and now
308 her visual acuity is RE 30/100 and LE no perception of light. She had delayed
309 replacement of her primary teeth with a secondary dentition. Radiographs
310 showed radiculomegaly; all teeth were present (Figure 1o).

311 She had normal growth and development. She had distinctive facial features with
312 a short bulbous nose, microtia and prognathism. She also showed 5th finger
313 clinodactyly and left 2-3 toe partial syndactyly.

314 Targeted *BCOR* analysis initiated by the geneticist at age 13 y 9 months revealed
315 the *de novo* variant c.4598_4616dup; p.(Glu1539Aspfs*7), predicted as
316 pathogenic.

317

318 Case 7

319 Case 7 is a 15-year-old Caucasian girl, the second of three girls, born at full term
320 with bilateral microphthalmia and cataract (Figure 2B). She had bilateral
321 cataract surgery in the first months of life, but subsequently developed chronic
322 bilateral glaucoma with acute episodes, requiring surgery. Her visual acuity is
323 reduced to RE: light perception and LE: count fingers at 1 m wearing aphakia-
324 correcting glasses. She also had an ASD, corrected by cardiac surgery at the age

325 of 4 years. She had delayed loss of her primary teeth, with radiculomegaly,
326 causing a misalignment of the teeth. All the primary teeth had to be removed in
327 order to enable permanent teeth to erupt. She had normal growth and
328 development. She exhibited distinctive facial features including broad nose, and
329 long, slender fingers and toes (Figure 1p-r).

330 Her mother had surgery in infancy for bilateral congenital cataract, had frequent
331 dental issues and suffered 8 miscarriages. Her maternal grandmother had at
332 least one miscarriage and bilateral early onset cataract. Her younger sister also
333 had surgery for bilateral congenital cataract and also had dental anomalies.

334 Targeted *BCOR* analysis initiated by the geneticist at 12 years of age revealed the
335 variant c.867G>A; p.(Trp289*), predicted as pathogenic. This variant was
336 inherited from the affected mother and was also present in the younger affected
337 sister.

338

339 Case 8

340 This 6½-year-old girl was born at full term. At one month of age, after initial
341 feeding difficulties, she was diagnosed with bilateral congenital cataract and mild
342 microphthalmia. She had two large haemangiomas (one on the forehead, one in
343 the neck), a lipomatous lesion in the thyroid lobe diagnosed clinically and on
344 ultrasound and a thyroglossal cyst (Figure 1s-w). At age 6 ½ years she had
345 normal growth and development. She had agenesis of both superior lateral
346 incisors and cutaneous syndactyly of second and third toes. Subsequent follow-
347 up revealed left ventricular noncompaction, without rhythm disturbance and
348 with good ventricular function, and a small persistent ductus arteriosus. Sanger
349 sequencing of *BCOR* revealed a frameshift variant c.2947_2948insTGCATACT;
350 p.(Glu983Valfs*41). The same variant was identified in her mother, who had
351 bilateral congenital cataract, microphthalmia and agenesis of the two lateral
352 incisors with large spacing of the two upper median incisors, but in a mosaic
353 state (about 20% of mutated p.(Glu983Valfs*) alleles in blood).

354

355 Case 9

356 This 27-year-old male was born at 38 weeks following a normal pregnancy
357 during which an ultrasound scan at 18/40 demonstrated urinary reflux and one

358 kidney larger than the other. At birth he was diagnosed with bilateral
359 anophthalmia, small palpebral apertures, hypotonia, moderate degree of chronic
360 renal failure secondary to bilateral renal dysplasia with associated bilateral
361 vesicoureteric reflux (corrected age 2 years) and urethral hypoplasia. He had
362 normal growth and developmental milestones, and excellent musical and verbal
363 skills. His mother had a history of neurofibromatosis type 1 and multiple
364 strawberry nevi, but was otherwise healthy. His MRI scan was reported as
365 normal. At age 27 years, he had normal growth parameters, with long fingers
366 and toes, and large ears with squared off earlobes (Figure 1x-ac). WES revealed a
367 maternally inherited *BCOR* c.254C>T; p.(Pro85Leu) variant.

368

369 Case 10

370 Case 10 is a 9 year-old-girl born at 38 weeks' gestation by Caesarian section due
371 to delayed rupture of membranes. She had bilateral congenital cataract and
372 microphthalmia with corneal diameters of 9 mm, persistent fetal vasculature and
373 small optic nerves. She was noted to have a prominent forehead, flat nasal
374 bridge, upturned nose, mesaxial polysyndactyly (of 4th digit) with 5/6 syndactyly
375 of the right hand and partial 2/3 syndactyly of the right toes (Figure 1ad-ai). She
376 also had a moderate secundum ASD with a mildly dysplastic pulmonary valve on
377 echocardiography. She had slight widening of her cerebral falx on cranial
378 ultrasound. Her maternal grandmother had postaxial polydactyly on one hand
379 and a maternal first cousin once removed had bilateral postaxial hand
380 polydactyly. At 10 months of age, she had delayed motor milestones and was not
381 yet sitting unsupported. She did not have any teeth yet and her anterior
382 fontanelle was still open. She had fine hair, a short nose with slightly broad nasal
383 tip, small mouth and narrow palate. She had surgery for her ASD at the age of 3
384 years. Interestingly, her growth parameters progressed from length 0.4th centile,
385 weight 25th centile and head circumference 75th centile at 1 month, to height and
386 weight 9th centile, and head circumference 75th-91st centile at 10 months, and by
387 8 years-of-age she reached a height on the 91st centile, weight 98-99.6th centile
388 and a head circumference of 58.9 cm (>99th centile). She had had delayed
389 eruption of her secondary dentition. She received 1:1 help for her visual
390 impairment (with visual acuity RE 0.70 LE 0.45 corrected with +20DS both eyes)

391 and her intellectual achievement was equivalent to her sighted peers. In addition
392 to her right 2-3 toe syndactyly, she demonstrated left 2nd toe clinodactyly and 4th
393 toe camptodactyly. She had hypodontia, a broad bifid nasal tip, mild
394 heterochromia of the left iris, with bialteral aphakia and normal fundal
395 appearances.
396 She had normal array CGH and was diagnosed with a *de novo* *BCOR* variant
397 c.3153G>A; p.(Trp1051*) by the Deciphering Developmental Disorders (DDD)
398 study (DECIPHER ID: 262217), confirmed with Sanger sequencing (Wright,
399 Fitzgerald et al. 2015).

400

401 Case 11

402 Case 11 is an 11-year-old girl born by emergency Caesarian section for face
403 presentation at 42 weeks' gestation following a pregnancy complicated by
404 polyhydramnios. She has one full sister and a maternal half sister and brother, all
405 healthy. She was noted to have cleft palate, right microphthalmia, roving eye
406 movements, bilateral cataracts, ASD and patent ductus arteriosus (PDA) in the
407 neonatal period. Cataract surgery was performed at 12 and 13 weeks. She now
408 has no vision in the right eye and is partially sighted on the left. Surgery to close
409 the cleft palate was performed in infancy. The ASD and PDA closed
410 spontaneously. She had nystagmus and upslanting palpebral fissures, slit-like
411 nostrils and simple ears (Figure 1aj-am). She also had hypermobility of the
412 elbows. Her first teeth erupted at one year of age and all deciduous teeth were
413 still present at the age of 7 years.

414 At the age of 11 years, she had no learning difficulties, but was assisted by a
415 teacher for the visually impaired at school. Her dentist noted fused upper right
416 central and lateral incisors and lower left lateral and central incisors. An
417 orthopantomogram performed at the age of 4 years showed at least 2 years'
418 delay of dental development and probable similar fusions in the permanent
419 dentition. No comment was made regarding root size.

420 Sequencing of *BCOR* revealed a heterozygous nonsense variant: c.4850T>G;
421 p.(Leu1617*) with complete skewing of X-inactivation. Neither parent was
422 available for genetic testing.

423

424 Case 12

425 This 3-year-old boy is the second child of non-consanguineous parents born at
426 40 weeks' gestation with a birth weight of 4.040 kg (60th centile), length 56 cm
427 (+1.5 SD), and head circumference 37 cm (+1 SD) (Figure 2C). The pregnancy
428 was uneventful, apart from unilateral talipes detected on scan. Echocardiography
429 shortly after birth revealed a ventricular septal defect (VSD), ASD, persistent
430 ductus arteriosus, persistent left vena cava, and non-compaction of the left
431 ventricle. Furthermore, bilateral cryptorchidism was observed. At the age of one
432 month he was admitted because of respiratory insufficiency. He also had
433 bilateral grade 4-5 vesicoureteral reflux and a single kidney stone was observed.
434 On ophthalmic assessment he had nystagmus, high myopia (-17.00 D) with
435 megalophthalmos, and posterior embryotoxon. He was noted to have full cheeks,
436 mild ptosis, exophthalmos, uplifted earlobes, a glabellar naevus flammeus, a long
437 philtrum and full nasal tip, long thumbs and left talipes (Figure 1an-ao). Brain
438 MRI showed no abnormalities. X-rays of the hand showed short metacarpals and
439 bilateral brachymesophalangy of the 5th fingers. He developed a seizure disorder
440 from 1 year of age. His cognitive and motor milestones were severely delayed
441 and at the age of 35 months he was nonverbal, could sit, but was unable to stand.
442 His SNP array, array CGH, FISH-analysis for Pallister Killian syndrome and
443 analysis of *CHD7*, *ASXL1* and *SETBP1* were normal. WES analysis revealed a
444 hemizygous variant in *BCOR* (c.4741+1G>A; p.(?)). This variant is located within
445 the donor splice site of intron 12, predicted to result in aberrant splicing Human
446 Splicing Finder tool (<http://www.umd.be/HSF3/index.html>) (Desmet, Hamroun
447 et al, 2009). His healthy mother is a carrier and showed 100% skewed X-
448 inactivation. His healthy 4-year-old sister is also a carrier and also showed
449 skewed X-inactivation (ratio 96:4). The variant was not present in both maternal
450 grandparents and a healthy maternal uncle.

451

452 Case 13

453 Case 13 is a 2-year-old Caucasian girl, only child of unrelated and healthy
454 parents. There is no familiar history of congenital or developmental anomalies.
455 Pregnancy was complicated by intrauterine growth restriction in the third
456 trimester. She was born by induced delivery at 37 weeks' gestation with birth

457 weight of 1.890 kg (<3rd centile). At birth she showed bilateral microphthalmia
458 and cataracts, but no other anomalies. At 2 months of age cataract surgery was
459 performed and at 3 months of age she showed low vision and nystagmus. She
460 had normal psychomotor and cognitive development. She had late eruption of
461 her first teeth at 14 months of age and primary dentition was complete except
462 for the right lateral lower incisor. At 20 months of age she was referred for
463 genetic testing and targeted sequencing revealed a heterozygous *de novo*
464 nonsense variant in *BCOR* c.4402C>T; p.(Gln1468*), predicted as pathogenic.

465

466 Case 14

467 This 3-year-old girl is the second of two daughters born to non-consanguineous
468 parents. Her mother was diagnosed with bilateral cataracts at 7 months of age,
469 which had been attributed to maternal rubella infection in pregnancy. She also
470 had dental abnormalities with radiculomegaly and thin enamel. Case 14 was
471 delivered at 35 weeks due to placental failure and had breathing difficulties at
472 birth necessitating 4 days of ventilator support. She was diagnosed with bilateral
473 congenital cataracts and underwent surgery to the right eye at 7 weeks of age.
474 She also had right microphthalmia, a small restricted perimembranous VSD and
475 secundum ASD. The VSD spontaneously closed and the ASD did not require any
476 intervention. She had a thyroglossal cyst that required intravenous antibiotics
477 and drainage. Primary dentition was delayed with eruption of first teeth at 18
478 months and oligodontia (Figure 1ap-ar). Her development was normal. The DDD
479 study (Decipher ID: 303226) identified a maternally inherited heterozygous
480 frameshift variant, c.4601_4602insCT; p.(His1535CysfsTer34) in *BCOR*.

481

482 Case 15

483 Case 15 is a 14-year-old Caucasian girl, the third child of non-consanguineous
484 parents. There was no relevant family history. She was born following a normal
485 pregnancy and was mildly oedematous and anaemic at birth. A cleft palate was
486 identified and she was also found to have a cardiac defect, which closed
487 spontaneously. At nine weeks of age bilateral cataracts were diagnosed, which
488 were surgically removed by 12 weeks of age. She then developed pupil block
489 glaucoma in her left eye, which required surgery. She has ongoing problems with

490 bilateral glaucoma. She also has hypermobility of hips, knees and ankles, but this
491 is improving.

492 Developmentally there have been no concerns about achieving milestones. She
493 attended a school for the visually impaired previously, but is now at mainstream
494 school with some vision support. Her facial features are in keeping with a
495 diagnosis of OFCD with macrocephaly (OFC-97th centile), bilateral ptosis,
496 hypoplastic alae nasi and broad nasal tip. Her great toes are very long and she
497 has a wide sandal gap on both her feet. There is a mild alveolar cleft (forme
498 fruste) in the midline. Sanger sequencing revealed a pathogenic frameshift
499 variant, c.3116_3117dup; p.(Asp1040Lysfs*16) in *BCOR*; parents declined
500 testing.

501

502 Case 16

503 Case 16 is a 2-month-old Caucasian female born following a normal pregnancy at
504 38 weeks' gestation with a birth weight of 3.245 kg (50th centile) with normal
505 ultrasound scans. She presented with cleft palate and facial dysmorphism
506 consisting of square-shaped face with asymmetric microphthalmia, upslanting
507 palpebral fissures, large nasal tip with septate nasal cartilage and simple ears
508 (Figure 1as-av). She also had camptodactyly of the second and fourth toes, mild
509 cutaneous syndactyly of the second and third toes and long, large halluces and
510 congenital heart anomalies, consisting of a large ASD and two VSDs. In addition
511 to bilateral microphthalmia, her eye examination revealed bilateral congenital
512 cataract, iris rubeosis and flat anterior chambers. She is being investigated for
513 hearing loss, since the auditory evoked potentials were negative. As she also
514 exhibited hypotonia and abnormal movements, brain MRI was performed and
515 showed asymmetrical pontocerebellar hypoplasia, cerebral atrophy and
516 enlargement of the ventricles without obstruction. Electroencephalogram was
517 normal.

518

519 Molecular analysis of *BCOR* revealed a *de novo* deletion of the exons 7 to 15,
520 confirmed by array CGH Xp11.4 (39910845_39922793)x1 (Agilent 60k ISCA)
521 and qPCR. In addition, there was a 162 kb deletion in 2p15 [arr[GRCh37]
522 2p15[63190016_63352116]x1) that includes *OTX1* and the 3' region of *WDPCP*.

523 This second CNV is of unknown significance, and could explain the neurologic
524 phenotype since *OTX1* has a putative role in brain development.

525

526 Summary of our cases and previously published *BCOR* cases (Supplementary
527 Tables 1, 2, and 3)

528

529 Including the cases presented in this paper, a total of 95 cases from 66 families
530 harbouring pathogenic *BCOR* variants have been described in the literature. We
531 have summarized the findings of our cases in Table 1, and of all published cases
532 including ours in supplementary Table 1. This includes 85 heterozygous (female)
533 OFCD cases from 58 families (also detailed in Supplementary table 2) and 10
534 hemizygous (male) cases from 8 families (also detailed in Supplementary Table
535 3).

536

537 Discussion

538 Pathogenic variants in *BCOR* have been associated with two distinct phenotypes.
539 The first is the OculoFacioCardioDental (OFCD) X-linked dominant syndrome,
540 affecting exclusively females, presumed male lethal, and caused by a variety of
541 null *BCOR* variants. The second is a severe X-linked recessive microphthalmia
542 syndrome ('Lenz') affecting males only and caused in the majority of cases to
543 date by a specific missense variant, c.254C>T, predicting a p.(Pro85Leu)
544 substitution at the protein level. However, in this report we present additional
545 male phenotypes associated with novel *BCOR* variants that include
546 developmental delay in the absence of eye anomalies in 2 brothers, and one male
547 with high myopia, megalophthalmos, posterior embryotoxon, severe
548 developmental delay, and heart and bone anomalies. We also describe one male
549 with severe ocular involvement, but without psychomotor delay, harbouring the
550 previously described p.(Pro85Leu) variant.

551

552 We reviewed 85 OFCD cases from 58 families with pathogenic *BCOR* variants in
553 the literature, including the new cases described here (Supplementary Table 1).
554 Many have been recently summarized in the article by Feberwee and colleagues
555 (Feberwee, Feenstra et al. 2014). Although the classic phenotypic characteristics

556 of OFCD (eye anomalies, craniofacial anomalies, cardiac anomalies and dental
557 anomalies) occurred in a majority of the described cases, only 41% of cases had
558 anomalies in all four categories. In addition to these classical characteristics,
559 skeletal anomalies were frequently observed: 82% of cases had digit anomalies;
560 13% had radioulnar synostosis and 10% had vertebral anomalies. Strikingly,
561 hearing loss, which has not previously been highlighted as a feature of OFCD, was
562 present in 9% of published cases. This cannot solely be attributed to secretory
563 otitis media relating to cleft palate, as only two out of the nine cases with hearing
564 loss had cleft palate. One of our cases (16) had presumed hearing loss as
565 indicated by negative auditory evoked potentials, but this case also had other
566 brain anomalies.

567

568 Apart from one mosaic case, all cases presented with features characteristic of
569 OFCD, which suggests complete penetrance for the protein truncating *BCOR*
570 variants underlying OFCD. All non-mosaic individuals, as well as three mosaic
571 cases, manifested congenital or early onset cataract, with or without additional
572 ocular features, such as microphthalmia, coloboma, lens dislocation, optic disc
573 dysplasia, secondary glaucoma and retinal detachment (the latter two possible
574 sequelae of early cataract surgery). The facial features include separated nasal
575 cartilage, high nasal bridge, long narrow face, palate/uvula anomalies, and
576 simple ears (Ng, Thakker et al. 2004, Hilton, Johnston et al. 2009, Davoody, Chen
577 et al. 2012), with features not universally described in OFCD cases (see Figure 1).
578 Cardiac anomalies, including septal defects, patent ductus arteriosus, double
579 outlet right ventricle, Fallot's tetralogy, and dextrocardia were reported in 63%
580 of individuals. The dental anomalies can affect primary and secondary dentition
581 and can show a virtually pathognomonic radiculomegaly, or delayed, persistent
582 or unerupted primary and/or secondary dentition, hypodontia, duplication or
583 fusion of teeth (Kantaputra 2014) and are illustrated in Figure 1. Only four cases
584 were reported to be without dental anomalies. The skeletal anomalies included
585 2-3 toe syndactyly, broad halluces, hammer toes, camptodactyly, short fingers,
586 radioulnar synostosis, scoliosis, and vertebral fusion (Figure 1).

587

588 We would like to highlight some additional features of OFCD. Mild
589 developmental delay was present in around 10% of cases. Strikingly, hearing
590 deficits, which are not usually described as part of the OFCD spectrum, occurred
591 in 9% of cases, and should be considered as a new feature of this syndrome. Two
592 individuals in our series had joint hypermobility, also described once before.
593 Although this a relatively common finding in children in the general population,
594 further studies would help to determine if it is a manifestation of OFCD. Other
595 findings include: intrauterine growth retardation, poor feeding/reflux,
596 vesicoureteral reflux and asplenia, growth hormone deficiency, delayed bladder
597 control, decreased reflexes, thyroglossal cysts, lipoma in the thyroid lobe, lipoma
598 of the corpus callosum and other brain anomalies. We suggest that neuropathy
599 or muscle hypotonia, pituitary underdevelopment and lipoma may be additional
600 features of the OFCD syndrome. This paper is the first to describe a childhood
601 lymphoma in an OFCD case. This case highlights the importance of follow-up of
602 OFCD cases, and indicates that further research is needed to investigate whether
603 the occurrence of childhood or adult tumours is more common in OFCD cases
604 compared to the general population, especially in view of the tumour suppressor
605 role of BCOR described below. Interestingly haemangiomas seem to be a
606 frequent feature, and were also seen in one of our carrier females, although are
607 relatively common in the general population. Case 16 had a distinct neurological
608 phenotype that included pontocerebellar hypoplasia, cerebral atrophy and
609 enlargement of the ventricles. She had a deletion of exons 7-15 of *BCOR* and an
610 additional 162 kb deletion in 2p15 that included *OTX1* and the 3' region of
611 *WDPCP*. The *OTX1* deletion may be contributing to the neurological phenotype,
612 since mice with deletions in *Otx1* have brain anomalies (Acampora, Mazan et al.
613 1996).

614

615 The majority of heterozygous variants in OFCD cases were predicted to cause
616 protein truncation, with 48% of them causing a frameshift, 33% nonsense, and
617 7% affecting splicing. The remaining 12% of cases harboured a whole or partial
618 gene deletion. In 26% of OFCD cases, the condition was familial and in 74% it
619 was sporadic or unknown. For all apparently sporadic cases where parental
620 samples were analysed (35%), the variant appeared *de novo*, suggesting that

621 protein-truncating variants, including nonsense and frameshift mutations, are
622 fully penetrant. However, the possibility of gonosomal mosaicism could not be
623 excluded.

624

625 Lenz first described his microphthalmia syndrome in 1955 in an X-linked
626 pedigree manifesting male cases with severe microphthalmia syndrome with
627 delayed development, palatal and dental anomalies, skeletal anomalies,
628 congenital heart defects, unilateral renal aplasia and cryptorchidism (Lenz
629 1955). Since this paper, it is clear that many descriptions have loosely referred to
630 male patients with severe microphthalmia as having 'Lenz microphthalmia', both
631 sporadic male cases and those with an X-linked pedigree. Although due credit
632 should be attributed to Lenz for drawing attention to this severe microphthalmia
633 affecting males, the generic use of the term 'Lenz' microphthalmia to describe
634 affected males with severe syndromic microphthalmia is perhaps best avoided,
635 since it is a genetically heterogeneous group (Traboulsi, Lenz et al. 1988, Hilton,
636 Johnston et al. 2009). Hilton and colleagues analysed 21 male patients with
637 presumed 'Lenz' microphthalmia and identified 1 with the typical c.254C>T;
638 p.(Pro85Leu) missense variant in *BCOR*, demonstrating that *BCOR* is not the
639 major cause of severe male microphthalmia, a finding supported by other groups
640 (Ng et al. 2004)(Horn, Chyrek et al. 2005)(Hilton et al. 2009, Suzumori et al.
641 2013).

642

643 The phenotypes of the hemizygous male cases with *BCOR* variants partially
644 overlaps with the female cases, with eye, craniofacial, cardiac and skeletal
645 anomalies present in the majority of male cases. Dental anomalies were not
646 reported in this group, whereas half of these cases presented with
647 developmental delay, and 40% with genitourinary anomalies. No protein
648 truncating variants have been described in male cases, with missense variants in
649 7 families and a splice site variant in another one.

650

651 Our case 2 with the typical c.254C>T; p.(Pro85Leu) shows an interesting
652 phenotype, displaying additional features to previous descriptions. He shows a
653 severe microphthalmia phenotype, with developmental delay associated with

654 autistic features, short stature, cardiac anomalies, broad halluces, long thin
655 fingers, vesico-ureteric reflux, cryptorchidism, hypotonia, reduced muscle mass,
656 scoliosis, and large low set ears in the absence of microcephaly. However, case 9,
657 who displays high intelligence and no autistic features and also carrying
658 c.254C>T; p.(Pro85Leu), clearly demonstrates that males with the typical *BCOR*
659 variant do not universally display these features. The phenotype of severe eye
660 anomalies plus cryptorchidism, hypotonia, and autistic features in the male
661 *BCOR*-related syndrome shows some overlap with *SOX2* anophthalmia syndrome
662 (Fantès, Ragge et al. 2003, Ragge, Lorenz et al. 2005, Bakrania, Robinson et al.
663 2007), such that male cases with severe microphthalmia or anophthalmia,
664 developmental delay, reduced growth and cryptorchidism, might benefit from
665 panel testing that includes both *SOX2* and *BCOR*, Specific features, such as lack of
666 developmental delay with presence of other extraocular features including long
667 thin fingers or toes, large ears, cardiac anomalies, vesicoureteric reflux in
668 association with severe bilateral eye anomalies might suggest *BCOR* is more
669 likely to be the responsible gene.

670

671 Recently Zhu and colleagues described a boy with multiple birth anomalies,
672 congenital glaucoma, AV canal type ventricular septal defect and cerebral white
673 matter hypoplasia (Zhu, Dai et al. 2015). Molecular testing revealed a *de novo*
674 novel missense variant in *BCOR* (c.1619G>A; p.[Arg540Glu]) predicted to be
675 'probably damaging'. As the authors indicated, it was unclear if the variant in
676 *BCOR*, although suggestive, was the underlying diagnosis. However, in view of
677 posterior embryotoxon seen in our cases, which can be part of anterior segment
678 dysgenesis, and can be associated with primary glaucoma, this might imply that
679 posterior embryotoxon is part of the spectrum of eye anomalies associated with
680 *BCOR* variants. Furthermore, our case 12 (see below) with posterior
681 embryotoxon with megalophthalmos and myopia had a novel splice site variant
682 in *BCOR* (c.4741+1G>A; p.[?]).

683

684 Cases 4 and 5 are two half-brothers who have an interesting constellation of
685 features that include early neonatal diabetes, hypotonia, ASD, bilateral posterior
686 embryotoxon (without cataract), long slender fingers, camptodactyly,

687 haemangiomas, cleft palate, posterior arachnoid cyst and severe growth and
688 intellectual delay (in the older boy). The younger, but not the older brother,
689 received WES and this revealed the c.4807A>C; p.(Ser1603Arg) *BCOR* variant
690 present in his affected brother and his unaffected mother, but absent in his
691 unaffected half-brothers. There are enough features of *BCOR* X-linked syndrome
692 to suggest this as the underlying diagnosis. However, as this is the first
693 description of an intellectual disability syndrome associated with *BCOR*, without
694 the characteristic findings of microphthalmia, this gene should be considered in
695 other males with intellectual disability with or without overlapping features to
696 explore this potential new phenotype more fully.

697

698 Case 12 showed a boy with high myopia and large globes and who also
699 demonstrates a splice site variant, and therefore distinct from the classical
700 missense variant c.254C>T; p.(Pro85Leu), seen in males with severe
701 microphthalmia. The organs involved in the phenotype in this boy overlap with
702 OFCD syndrome and/or Lenz microphthalmia. However, his eye phenotype is
703 distinct from the phenotype of those two disorders in causing increased ocular
704 growth and myopia, and he additionally showed posterior embryotoxon, also
705 seen in cases 4 and 5. Interestingly, his unaffected mother and sister who carry
706 the same variant show highly skewed X-inactivation.

707

708 The mechanism by which *BCOR* acts to promote eye growth is not precisely
709 known. Loss of *bcor* function leads to coloboma formation in the zebrafish.
710 Through evidence from oncogenic pathways, it is known that the
711 *BCOR/BCL6/SIRT1* complex interacts with the *SHH* signaling pathway, also
712 important in human eye development (and medulloblastoma) (Tiberi, Bonnefont
713 et al. 2014). In zebrafish, the *bcor/bcl6a* complex appears to interact with *hdacs*,
714 and there is some evidence that part of the mechanism may occur by *bcor/bcl6a*
715 and *Hdac1* co-repressing *p53* expression, although there is no evidence that
716 humans with germline *p53* mutations have developmental eye anomalies (Lee,
717 Lee et al. 2013).

718

719 BCOR is a co-repressor that interacts with BCL6 at the POZ domain. BCL6 is an
720 oncogene important in B cell development and oncogenesis. It encodes a zinc-
721 finger transcriptional repressor, which is a regulator of germinal centre
722 formation. *BCOR* aberrations have been identified in extranodal NK/T cell
723 lymphomas and in secondary acute myeloid leukemias, and other tumours
724 (Dobashi, Tsuyama et al. 2016). Furthermore, Tanaka and colleagues (Tanaka,
725 Nakajima-Takagi et al. 2017) have demonstrated a likely tumour suppressor role
726 for BCOR in T lymphocytes in mice. This provides supporting evidence that T cell
727 lymphoma described in case 3 may be linked to the germline *BCOR* variant in this
728 patient. The role of *BCOR* in tumorigenesis does not appear to be limited to
729 tumour suppression. Various *BCOR* rearrangements, including in frame internal
730 tandem duplications of *BCOR* exon 15 and gene fusions involving *BCOR*, illustrate
731 an emerging role in tumour enhancement in various sarcoma subtypes (Pierron,
732 Tirode et al. 2012, Ueno-Yokohata, Okita et al. 2015).

733

734 There appears to be interesting genotype-phenotype correlation in *BCOR*-related
735 conditions. Affected males tend to have hypomorphic missense variants,
736 although some interesting new phenotypes are emerging with missense and
737 splice variants, and their carrier mothers are unaffected (although they have
738 skewed X-inactivation). In contrast, affected females with OFCD have protein
739 truncating variants or partial/whole gene deletions, and exhibit skewed X-
740 inactivation. If the OFCD is inherited from their mothers, the mothers will also
741 express the disorder, show skewed X-inactivation, and the variant is presumed
742 lethal in affected male offspring as evidenced by miscarriages.

743

744 This paper has aimed to summarize the X-linked *BCOR* syndrome, and to extend
745 the phenotypic spectrum associated with *BCOR* pathogenic variants. Females
746 tend to have features of OFCD, but in addition can manifest further features,
747 including neuropathy, muscle hypotonia, pituitary underdevelopment, lipoma
748 and lymphoma. We have shown that males with the typical *BCOR* variant
749 c.254C>T; p.(Pro85Leu), contrary to existing information, can have normal
750 intellectual development. We have also demonstrated that new variants in *BCOR*
751 can be associated with X-linked syndromic intellectual disability in males, and

752 megalophthalmos and myopia, thus extending the phenotype. We would
753 recommend that males with severe microphthalmia or anophthalmia and
754 relevant extraocular features described be tested for *SOX2* and *BCOR* as part of a
755 panel. Furthermore, females with early onset cataract should be examined for
756 extraocular features of the OFCD syndrome, and if any present tested for *BCOR*
757 variants, with the caveat that occasionally an ocular-only phenotype can exist. In
758 view of our cases with posterior embryotoxon or megalophthalmos, we suggest
759 that individuals with similar phenotypes that include suggestive extraocular
760 features are tested for *BCOR* variants. Furthermore, we would recommend long
761 term multicentre follow-up studies of individuals with *BCOR* pathogenic variants
762 to determine the incidence of tumour formation. We would also propose
763 abandoning the use of the generic term 'Lenz' microphthalmia since this refers to
764 Lenz' clinical description of a particular pedigree with a severe microphthalmia
765 phenotype affecting males and is not representative of a genetically defined
766 syndrome. Instead, we suggest a new term referring to *BCOR* conditions as X-
767 linked *BCOR*-related syndrome, specifying male or female as appropriate.

Legends:

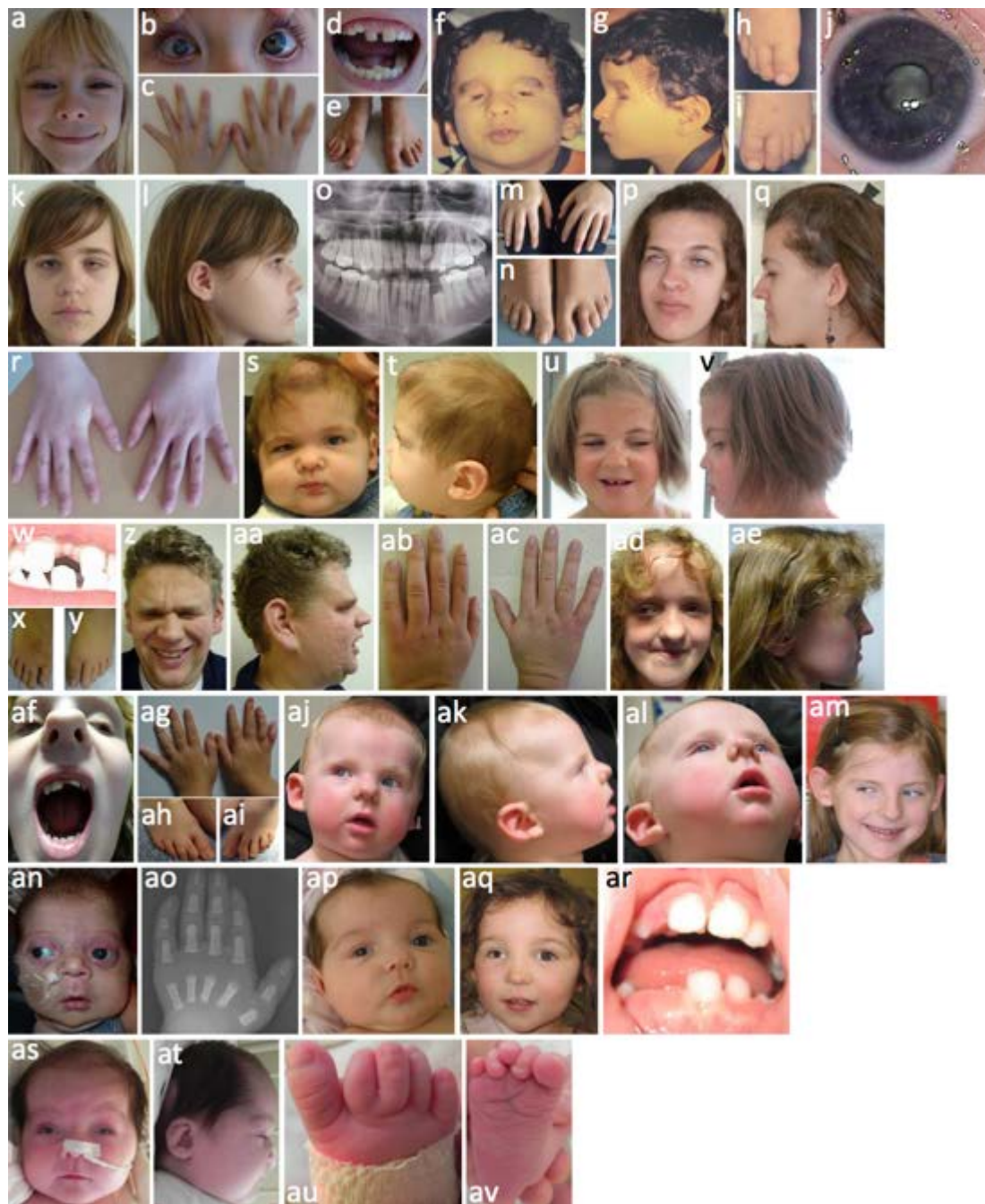


Figure 1 – Clinical Photographs

a-e – case 1 showing broad nasal base, right microphthalmia, tooth abnormalities, long slender fingers, increased sandal gap, and right second toe clinodactyly

f-i – case 2 showing bilateral severe microphthalmia, downslanting palpebral fissures, thick eyebrows, a broad nasal root and tip, a long philtrum, large low set posteriorly rotated ears, and broad halluces

j – case 3 – eye photograph demonstrating congenital cataract

k-o – case 6 showing short bulbous nose, small ears and prognathism, 5th finger clinodactyly and 2-3 partial syndactyly of the left toes and orthopantomogram showing radiculopathy

p-r – case 7 showing bilateral microphthalmia, broad nose, and long, slender fingers

s-w – case 8 showing large hemangioma on the forehead, and tooth anomalies with agenesis of both superior lateral incisors

x-ac – case 9 showing bilateral anophthalmia, relatively large ears, partial 2-3 toe syndactyly

ad-ai – case 10 showing bilateral microphthalmia, prominent forehead, flat nasal bridge, upturned nose with a broad bifid tip, hypodontia, mesaxial polysyndactyly of the 4th digit with 5/6 syndactyly of the right hand partial 2/3 syndactyly of the right toes

aj-am – case 11 showing right microphthalmia, upslanting palpebral fissures, broad nasal tip with slit-like nostrils and simple ears

an-ao – case 12 showing bilateral megalophthalmos and exophthalmos, full cheeks, uplifted earlobes, long philtrum and full nasal tip, long thumbs and left talipes; (ao) short metacarpals and brachymesophalangy 5th fingers

ap-ar – case 14 showing right microphthalmia and oligodontia

as-av – case 16 showing asymmetric microphthalmia, upslanting palpebral fissures, large nasal tip (obscured by tape), simple ears; (au-av) showing camptodactyly of second and fourth toes, mild cutaneous syndactyly of second and third toes and long, large halluces.

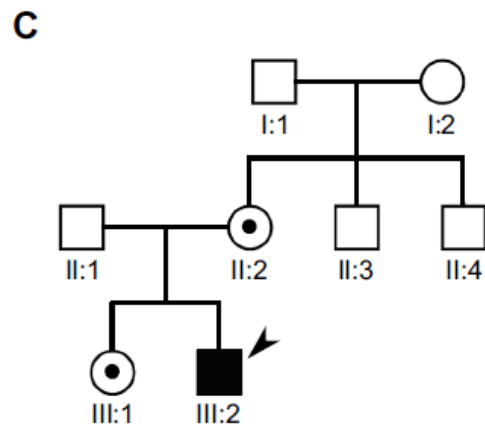
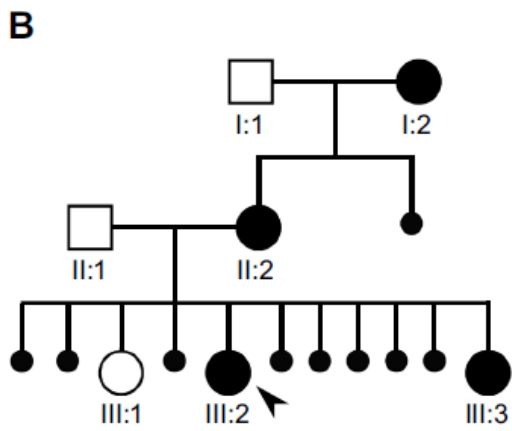
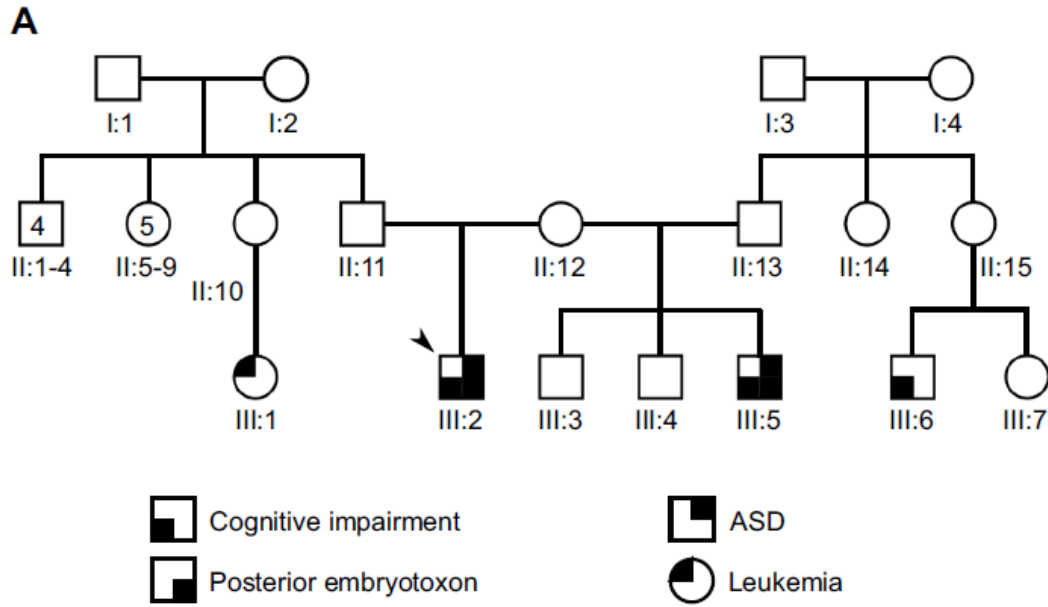


Figure 2. A. Pedigree of cases 4 and 5; B. Pedigree of case 7; C. Pedigree of case 12

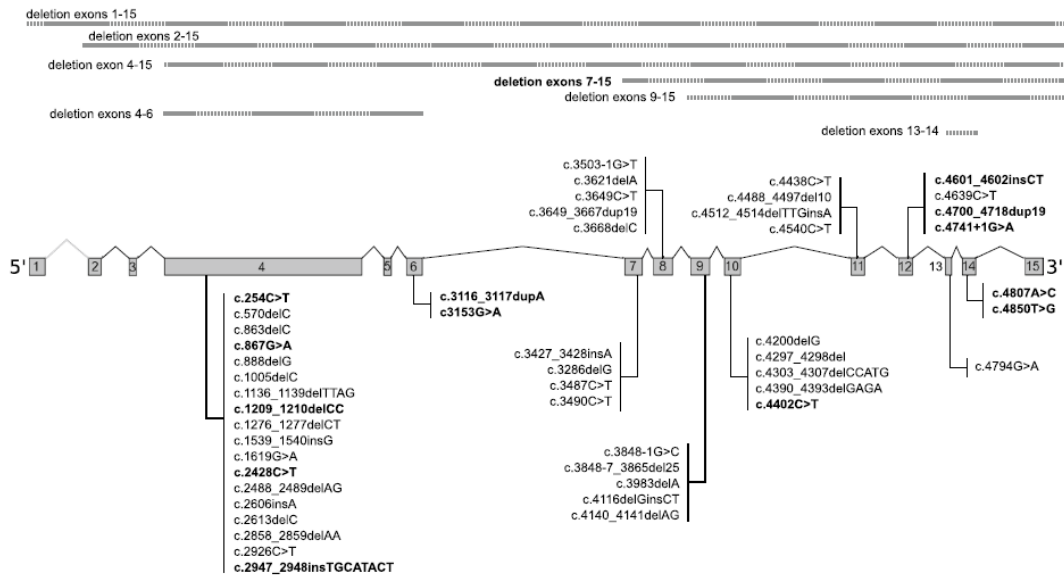


Figure 3: Summary of the described and new (in bold) variants in *BCOR*

Tables:

Table 1: Summary of Phenotypic Findings

Supplementary Table 1: Summary of Clinical Features and Variants of Published cases identified with *BCOR* variants (including current series)

Supplementary Table 2: Summary of OFCD cases

Supplementary Table 3: Summary of X-linked *BCOR* male cases

Table 1: Summary of Phenotypic Findings

General information	case 1	case 2	case 3	case 4	case 5	case 6	case 7	case 8	case 9	case 10	case 11	case 12	case 13	case 14	case 15	case 16	
Age	13y	21y	3y	18m	5y	17y	15y	6y 6m	27y	9y	11y	3y	2y	3y	14y	2m	
Gender	F	M	F	M	M	F	F	F	M	F	F	M	F	F	F	F	
<i>BCOR</i> variant*	c.2428C>T p.(Arg810*)	c.254C>T p.(Pro85Leu)	c.1209_1210delCC p.(Gln404Alafs*35)	c.4807A>C p.(Ser1603Arg)	c.4807A>C p.(Ser1603Arg)	c.4700_4718dup p.(Glu1573Aspfs*7)	c.867G>A p.(Trp289*)	c.2947_2948insTGCAT ACT p.Glu983Val*41	c.254C>T p.(Pro85Leu)	c.3153G>A p.(Trp1051*)	c.4850T>G p.(Leu1617*)	c.4741+1G>A	c.4402C>T p.(Gln1468*)	c.4601_4602insCT p.(His1535Cysfs*34)	c.3116_3117dup p.(Asp1040Lysfs*16)	arr[GRCh37]Xp11.4(39910845_39922793)x1, and 2p15 deletion	
inheritance	<i>de novo</i>	mat	<i>de novo</i>	mat	mat	<i>de novo</i>	mat	mat	mat	<i>de novo</i>	NK	mat	<i>de novo</i>	mat	NK	<i>de novo</i>	
affected family members				brother (case 5)	brother (case 4)		mother; gmother; aunt	mother						mother			
growth																	
birth weight (kg)	3.99	NK	3.59	2.88	2.86	2.64	3.6	3.54	3.09	3.35	3.62	4.04	1.89	2.21	2.72	3.25	
height centile (age)	2 nd (11y)	9 th (9y); 0.4-2 nd (21y)	50 th (3y)	80 th (birth)	-1 SD (4y 6m)	50 th (17y)	+0.5 SD (15y)	+2 SD (6y 6m)	50 th (27y)	91 st (8y)	NK	+1.5 SD (birth)	NK	13 th (3m), 2 nd (3y)	NK	NK	
weight centile (age)	< 0.4 th (11y)	0.4-2 nd (9y); <3 rd (21y)	60 th (3y)	25 th (birth)	0 SD (4y 6m)	90 th (17y)	10 th (15y)	+3 SD (6y 6m)	91 st (27y)	98-99.6 th (8y)	NK	60 th (birth)	NK	6 th (3m), 23 rd (3y)	NK	NK	
HC centile (age)	50 th (11y)	25 th (9y); 9 th (21y)	NK	28 th (birth)	-2.5 SD (4y 6m)	95 th (17y)	+0.5 SD (15y)	+1 SD (6y 6m)	75 th -91 st (27y)	> 99 th (8y)	NK	+1 SD (birth)	NK	96 th (3m)	NK	NK	
ocular																	
microphthalmia	B	B (severe)	B				B	B (mild)		B	U (RE)		B	U (RE)		B	
anophthalmia									B								
congenital cataract	B		B			B	B	B		B	B		B	B	B	B	
glaucoma	U					B	B								B		
posterior embryotoxon				B	B							B					
other						RD				PFV, iris heterochromia	nystagmus	B Mo, nystagmus, high myopia	nystagmus			iris rubeosis, flat anterior chambers	
craniofacial																	
midface hypoplasia		+															
nasal anomalies		+				+	+			+	+	+			+	+	
ear anomalies		+	+	+	+	+			+			+	+			+	
cleft palate					+							+			+	+	
high arched palate			+														
other		Down-slanting PF long face, tall forehead, thick eyebrows, LP				Prominent chin			small PF	prominent forehead, small mouth, narrow palate, widening of cerebral falx	upslanting PF	full cheeks, ptosis, exophthalmos, glabellar naevus flammeus,			ptosis, macrocephaly, alveolar cleft	square shaped face, upslanting PF	
cardiac																	
ASD				+	+		+			+	+	+		+		+	
VSD												+		+		+	

other		triple heart sounds								dysplastic pulmonary valve	PDA	PDA, persistent L vena cava			cardiac defect
dental															
late eruption of first teeth	+		+							+	+		+	+	
delayed loss of primary dentition	+					+	+			+	+				
radiculomegaly						+	+								
fused incisors											+				
other	double row of teeth	recurrent dental infections	abnormal crown canines + incisors				Teeth misaligned	agenesis two lateral incisors		oligodontia				oligodontia	
skeletal															
hands	long Fi	5 th Fi clin, long Fi	long Fi	long Fi, 4-5 Cam	cam all Fi	5th Fi Clin	long Fi		long Fi	4 th fi Poly-syn, 5/6 fi poly-syn		long Fi short metacarpals, 5 th Fi Bra			
feet	SG, 2 nd toe Clin			short, deep set toe nails	fetal toe pads	2-3 toe Syn	long toes	2-3 toe Syn	long toes	2/3 Syn, 2nd toe Clin, 4th toe Camp		left talipes		long g toes, SG	2,4 toe Camp, 2-3 toe Syn, long, halluces
other	Joint HM	scoliosis									Joint HM			Joint HM	
developmental															
ID				+	+							+			
motor delay	+	+		+	+					+		+			
speech delay		+		+	+							+			
AuSD		+													
MRI findings															
lipomatous lesion	lipoma corpus callosum	N		NK		NK	NK								
other			Moderate BA, broad lateral ventricles	NK	posterior arachnoid cyst	NK	NK								cerebellar hypoplasia, BA, ventricular enlargement
other findings															
GU anomalies	reduced bladder control	CR, VUR, primary enuresis							urethral hypoplasia, renal dysplasia, renal failure, VUR,			CR, grade 4-5 VUR, kidney stone			
other		hypotonia, thin body habitus	Stage III T-cell lymphoma	left temporal haemangioma	hypotonia, capillary malformation, feeding difficulty				hypotonia			seizure disorder		thyroglossal cyst	hearing loss, hypotonia, abnormal movements

Abbreviations:

* (NM_001123385.1)

ASD, atrial septal defect; AuSD, autistic spectrum disorder; B, bilateral; BA, brain atrophy; Bra, brachymesophalangy ; Cam, camptodactyly; Clin, clinodactyly; CR, cryptorchidism; F, female; Fi, fingers; gmother, grandmother; GU, genitourinary; ID, Intellectual delay, Joint HM, joint hypermobility; kg, kilogram; LE, left eye; LP, long philtrum; M, male; m, months; mat, maternal; Mo, Megalophthalmos; MRI, magnetic resonance imaging; N, normal; NK, not known; pat, paternal; PDA, patent ductus arteriosus; PF, palpebral fissures; PFV, persistent fetal vasculature; RD, retinal detachment; RE, right eye; SD, standard deviation; SG, increased sandal gap; Syn, syndactyly; U, unilateral; VSD, ventriculoseptal defect; VUR, vesicoureteric reflux; y, year

Conflict of Interest Statement

On behalf of all authors, the corresponding author states that there is no conflict of interest.

References

- Acampora, D., Mazan, S., Avantaggiato, V., Barone, P., Tuorto, F., Lallemand, Y., Brulet, P. & Simeone, A. (1996) Epilepsy and brain abnormalities in mice lacking the *Otx1* gene. Nature Genet., 14, 218-222.
- Adzhubei IA, Schmidt S, Peshkin L, Ramensky VE, Gerasimova A, Bork P, et al. (2010) A method and server for predicting damaging missense mutations. Nat Methods 7: 248-249.
- Amos-Landgraf, J M., Cottle A, Plenge R M., Friez M, Schwartz C E., Longshore J, and Willard H F. (2006) X Chromosome–Inactivation Patterns of 1,005 Phenotypically Unaffected Females. Am. J. of Hum. Genet.:79:493-499
- Bakrania, P., D. O. Robinson, D. J. Bunyan, A. Salt, A. Martin, J. A. Crolla, A. Wyatt, A. Fielder, J. Ainsworth, A. Moore, S. Read, J. Uddin, D. Laws, D. Pascuel-Salcedo, C. Ayuso, L. Allen, J. R. Collin and N. K. Ragge (2007). "SOX2 anophthalmia syndrome: 12 new cases demonstrating broader phenotype and high frequency of large gene deletions." Br J Ophthalmol 91(11): 1471-1476.
- Danda S, van Rahden VA, John D, Paul P, Raju R, Koshy S, Kutsche K (2014). "Evidence of Germline Mosaicism for a novel BCOR mutation in two indian sisters with oculo-facio-cardio dental Syndrome". Mol Syndromol. 5(5):251-6
- Davoody, A., I. P. Chen, R. Nanda, F. Uribe and E. J. Reichenberger (2012). "Oculofaciocardiodental syndrome: a rare case and review of the literature." Cleft Palate Craniofac J 49(5): e55-60.
- Desmet FO, Hamroun D, Lalonde M, Collod-Beroud G, Claustres M, Beroud C. Human Splicing Finder: an online bioinformatics tool to predict splicing signals. Nucleic Acids Res. 2009 May;37(9):e67
- Di Stefano, C., B. Lombardo, C. Fabbricatore, C. Munno, I. Caliendo, F. Gallo and L. Pastore (2015). "Oculo-facio-cardio-dental (OFCD) syndrome: the first Italian case of BCOR and co-occurring OTC gene deletion." Gene 559(2): 203-206.
- Dobashi, A., N. Tsuyama, R. Asaka, Y. Togashi, K. Ueda, S. Sakata, S. Baba, K. Sakamoto, K. Hatake and K. Takeuchi (2016). "Frequent BCOR aberrations in extranodal NK/T-Cell lymphoma, nasal type." Genes Chromosomes Cancer 55(5): 460-471.

Esmailpour, T., H. Riazifar, L. Liu, S. Donkervoort, V. H. Huang, S. Madaan, B. M. Shoucri, A. Busch, J. Wu, A. Towbin, R. B. Chadwick, A. Sequeira, M. P. Vawter, G. Sun, J. J. Johnston, L. G. Biesecker, R. Kawaguchi, H. Sun, V. Kimonis and T. Huang (2014). "A splice donor mutation in NAA10 results in the dysregulation of the retinoic acid signalling pathway and causes Lenz microphthalmia syndrome." J Med Genet **51**(3): 185-196.

Fantes, J., N. K. Ragge, S. A. Lynch, N. I. McGill, J. R. Collin, P. N. Howard-Peebles, C. Hayward, A. J. Vivian, K. Williamson, V. van Heyningen and D. R. FitzPatrick (2003). "Mutations in SOX2 cause anophthalmia." Nat Genet **33**(4): 461-463.

Feberwee, H. E., I. Feenstra, S. Oberoi, I. E. Sama, C. W. Ockeloen, F. Clum, A. Slavotinek, M. A. Kuijpers, D. Dooijes, A. M. Kuijpers-Jagtman, T. Kleefstra and C. E. Carels (2014). "Novel BCOR mutations in patients with oculofaciocardiodental (OFCD) syndrome." Clin Genet **85**(2): 194-197.

Fujimaki, T., Yokoyama T., Kawano, H., Fujiki, K., Ikeda, M., Murakami, A. (2008). "A Case Report of Oculofaciocardiodental Syndrome with novel BCOR gene mutation." Investigative Ophthalmology & Visual Science **49** (13): 465

Hilton, E., J. Johnston, S. Whalen, N. Okamoto, Y. Hatsukawa, J. Nishio, H. Kohara, Y. Hirano, S. Mizuno, C. Torii, K. Kosaki, S. Manouvrier, O. Boute, R. Perveen, C. Law, A. Moore, D. Fitzpatrick, J. Lemke, F. Fellmann, F. G. Debray, F. Dastot-Le-Moal, M. Gerard, J. Martin, P. Bitoun, M. Goossens, A. Verloes, A. Schinzel, D. Bartholdi, T. Bardakjian, B. Hay, K. Jenny, K. Johnston, M. Lyons, J. W. Belmont, L. G. Biesecker, I. Giurgea and G. Black (2009). "BCOR analysis in patients with OFCD and Lenz microphthalmia syndromes, mental retardation with ocular anomalies, and cardiac laterality defects." Eur J Hum Genet **17**(10): 1325-1335.

Horn, D., M. Chyrek, S. Kleier, S. Luttgen, H. Bolz, G. K. Hinkel, G. C. Korenke, A. Riess, C. Schell-Apacik, S. Tinschert, D. Wieczorek, G. Gillissen-Kaesbach and K. Kutsche (2005). "Novel mutations in BCOR in three patients with oculo-facio-cardio-dental syndrome, but none in Lenz microphthalmia syndrome." Eur J Hum Genet **13**(5): 563-569.

Jiang YH, Fang P, Adesina AM, Furman P, Johnston JJ, Biesecker LG, Brown CW. (2009). "Molecular characterization of co-occurring Duchenne muscular dystrophy and X-linked oculo-facio-cardio-dental syndrome in a girl" Am J Med Genet A. **149A**(6):1249-52

Kantaputra, P. N. (2014). "BCOR mutations and unstoppable root growth: a commentary on oculofaciocardiodental syndrome: novel BCOR mutations and expression in dental cells." J Hum Genet **59**(6): 297-299.

Kondo, Y., H. Saitsu, T. Miyamoto, K. Nishiyama, Y. Tsurusaki, H. Doi, N. Miyake, N. K. Ryoo, J. H. Kim, Y. S. Yu and N. Matsumoto (2012). "A family of oculofaciocardiodental syndrome (OFCD) with a novel BCOR mutation and genomic rearrangements involving NHS." J Hum Genet **57**(3): 197-201.

Lee, J., B. K. Lee and J. M. Gross (2013). "Bcl6a function is required during optic cup formation to prevent p53-dependent apoptosis and colobomata." Hum Mol Genet **22**(17): 3568-3582.

Lek, M, K J. Karczewski, E. V. Minikel, K E. Samocha, E Banks, T Fennell, et al. ((2016),. "Analysis of protein-coding genetic variation in 60,706 humans", Nature **536**: 285–291

Lenz, W. (1955). "[Recessive, sex-limited microphthalmia with multiple abnormalities]." Z Kinderheilkd **77**(4): 384-390.

Lozic, B., J. Ljubkovic, D. G. Panduric, I. Saltvig, K. Kutsche, V. Krzelj and T. Zemunik (2012). "Oculo-facio-cardio-dental syndrome in three succeeding generations: genotypic data and phenotypic features." Braz J Med Biol Res **45**(12): 1315-1319.

Ma, A. S., J. R. Grigg, G. Ho, I. Prokudin, E. Farnsworth, K. Holman, A. Cheng, F. A. Billson, F. Martin, C. Fraser, D. Mowat, J. Smith, J. Christodoulou, M. Flaherty, B. Bennetts and R. V. Jamieson (2016). "Sporadic and Familial Congenital Cataracts: Mutational Spectrum and New Diagnoses Using Next-Generation Sequencing." Hum Mutat **37**(4): 371-384.

Ng, D., N. Thakker, C. M. Corcoran, D. Donnai, R. Perveen, A. Schneider, D. W. Hadley, C. Tift, L. Zhang, A. O. Wilkie, J. J. van der Smagt, R. J. Gorlin, S. M. Burgess, V. J. Bardwell, G. C. Black and L. G. Biesecker (2004). "Oculofaciocardiodental and Lenz microphthalmia syndromes result from distinct classes of mutations in BCOR." Nat Genet **36**(4): 411-416.

Ng PC, Henikoff S. SIFT: predicting amino acid changes that affect protein function. Nucleic Acids Res 2003; **31**: 3812-3814.

O'Byrne JJ, Laffan E, Murray DJ, Reardon W (2017). "Oculo-facio-cardio-dental syndrome with craniosynostosis temporal hypertrichosis, and deafness." *Am J Med Genet A* **173**(5):1374-1377

Oberoi, S., A. E. Winder, J. Johnston, K. Vargervik and A. M. Slavotinek (2005). "Case reports of oculofaciocardiodental syndrome with unusual dental findings." *Am J Med Genet A* **136**(3): 275-277.

Pierron, G., F. Tirode, C. Lucchesi, S. Reynaud, S. Ballet, S. Cohen-Gogo, V. Perrin, J. M. Coindre and O. Delattre (2012). "A new subtype of bone sarcoma defined by BCOR-CCNB3 gene fusion." *Nat Genet* **44**(4): 461-466.

Ragge, N. K., B. Lorenz, A. Schneider, K. Bushby, L. de Sanctis, U. de Sanctis, A. Salt, J. R. Collin, A. J. Vivian, S. L. Free, P. Thompson, K. A. Williamson, S. M. Sisodiya, V. van Heyningen and D. R. Fitzpatrick (2005). "SOX2 anophthalmia syndrome." *Am J Med Genet A* **135**(1): 1-7; discussion 8.

Scott, A. F., D. W. Mohr, L. M. Kasch, J. A. Barton, R. Pittiglio, R. Ingersoll, B. Craig, B. A. Marosy, K. F. Doheny, W. C. Bromley, T. H. Roderick, N. Chassaing, P. Calvas, S. S. Prabhu and E. W. Jabs (2014). "Identification of an HMGB3 frameshift mutation in a family with an X-linked colobomatous microphthalmia syndrome using whole-genome and X-exome sequencing." *JAMA Ophthalmol* **132**(10): 1215-1220.

Surapornsawasd, T., T. Ogawa and K. Moriyama (2015). "Identification of nuclear localization signals within the human BCOR protein." *FEBS Lett* **589**(21): 3313-3320.

Suzumori, N., T. Kaname, Y. Muramatsu, K. Yanagi, K. Kumagai, S. Mizuno, K. Naritomi, S. Saitoh and M. Sugiura-Ogasawara (2013). "Prenatal diagnosis of X-linked recessive Lenz microphthalmia syndrome." *J Obstet Gynaecol Res* **39**(11): 1545-1547.

Tanaka, T., Y. Nakajima-Takagi, K. Aoyama, S. Tara, M. Oshima, A. Saraya, S. Koide, S. Si, I. Manabe, M. Sanada, M. Nakayama, M. Masuko, H. Sone, H. Koseki and A. Iwama (2017). "Internal deletion of BCOR reveals a tumor suppressor function for BCOR in T lymphocyte malignancies." *J Exp Med* **214**(10): 2901-2913.

Tiberi, L., J. Bonnefont, J. van den Ameele, S. D. Le Bon, A. Herpoel, A. Bilheu, B. W. Baron and P. Vanderhaeghen (2014). "A BCL6/BCOR/SIRT1 complex triggers

neurogenesis and suppresses medulloblastoma by repressing Sonic Hedgehog signaling." Cancer Cell **26**(6): 797-812.

Traboulsi, E. I., W. Lenz, M. Gonzales-Ramos, J. Siegel, W. G. Macrae and I. H. Maumenee (1988). "The Lenz microphthalmia syndrome." Am J Ophthalmol **105**(1): 40-45.

Ueno-Yokohata, H., H. Okita, K. Nakasato, S. Akimoto, J. Hata, T. Koshinaga, M. Fukuzawa and N. Kiyokawa (2015). "Consistent in-frame internal tandem duplications of BCOR characterize clear cell sarcoma of the kidney." Nat Genet **47**(8): 861-863.

Wildeman, M., E. van Ophuizen, J. T. den Dunnen and P. E. Taschner (2008). "Improving sequence variant descriptions in mutation databases and literature using the Mutalyzer sequence variation nomenclature checker." Hum Mutat **29**(1): 6-13.

Wright, C. F., T. W. Fitzgerald, W. D. Jones, S. Clayton, J. F. McRae, M. van Kogelenberg, D. A. King, K. Ambridge, D. M. Barrett, T. Bayzetinova, A. P. Bevan, E. Bragin, E. A. Chatzimichali, S. Gribble, P. Jones, N. Krishnappa, L. E. Mason, R. Miller, K. I. Morley, V. Parthiban, E. Prigmore, D. Rajan, A. Sifrim, G. J. Swaminathan, A. R. Tivey, A. Middleton, M. Parker, N. P. Carter, J. C. Barrett, M. E. Hurles, D. R. FitzPatrick, H. V. Firth and D. D. D. study (2015). "Genetic diagnosis of developmental disorders in the DDD study: a scalable analysis of genome-wide research data." Lancet **385**(9975): 1305-1314.

Zhou, Y., A. Wojcik, V. R. Sanders, B. Rahmani and S. P. Kurup (2017). "Ocular findings in a patient with oculofaciocardiodental (OFCD) syndrome and a novel BCOR pathogenic variant." Int Ophthalmol. (epub ahead of print)

Zhu, X., F. R. Dai, J. Wang, Y. Zhang, Z. P. Tan and Y. Zhang (2015). "Novel BCOR mutation in a boy with Lenz microphthalmia/oculo-facio-cardio-dental (OFCD) syndrome." Gene **571**(1): 142-144.